

# SW305K1

## PRODUCT SPECIFICATIONS



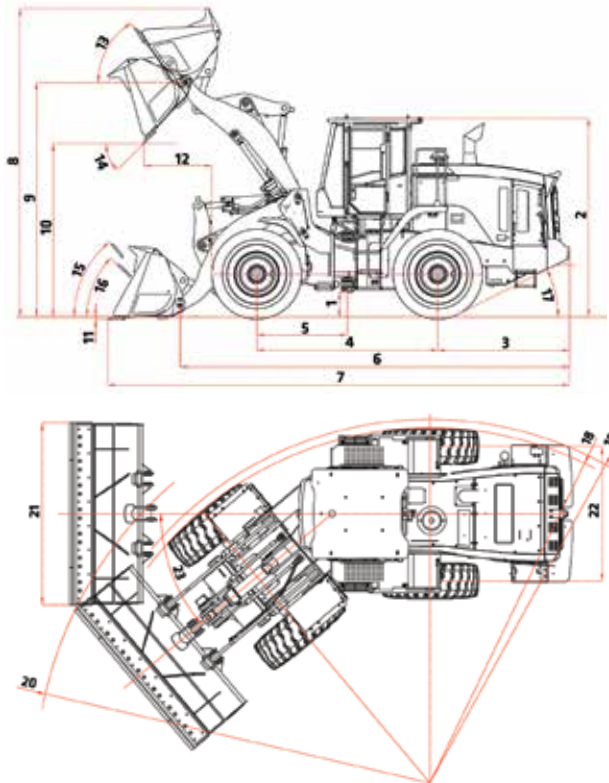
### STANDARD FEATURES

- Engine: Deutz TCD 6.1
- Boom suspension system
- Differential Locking Axle
- Automatic Transmission Kick Down
- Bucket Self-Leveling and Return to Dig
- SANYLive Telematics
- Single joystick control
- Third Function Hydraulics
- Reversible fan
- 360° view camera

- ➔ **Net Power**  
125kW / 167hp
- ➔ **Bucket Capacity**  
2.29 m<sup>3</sup> / 3.2 yd<sup>3</sup>
- ➔ **Operating Weight**  
14,616 kg / 32,222 lb
- ➔ **Full Turn Tipping Load**  
7714 kg / 17,007 lb

# PRODUCT SPECIFICATIONS

## MODEL: **SW305K1** Wheel Loader



### OVERALL DIMENSIONS

	METRIC	STANDARD
1 Ground clearance	695 mm	2' 3"
2 Height to Top of Cab	3405 mm	11, 2"
3 Center Line of Rear Axle to Edge of Counterweight	1911 mm	6' 3"
4 Wheelbase	3000 mm	9' 10"
5 Center Line of Front Axle to Center Pivot	1480mm	4'10"
6 Shipping Length without Attachment	6226mm	20' 5"
7 Shipping Length with Bucket	7518 mm	24' 8"
8 Max. Dump Height	5226 mm	17' 1"
9 Hinge Pin Height at Max. Lift	3845 mm	12' 7"
10 Dump Clearance at Max. Lift	2689 mm	8' 10"
11 Dig Depth, Level Bucket	122mm	4.8"
12 Reach at Max. Lift and 45° Discharge	993 mm	39"
13 Roll Back at Max. Lift		61°
14 Dump Angle at Max. Lift and Dump		45°
15 Roll Back at Carry Height		49°
16 Roll Back at Ground		42°
17 Tail Angle to the Rear Wheel		28°
18 Clearance Circle to Outside of Tires	5382 mm	17' 8"
19 Clearance Circle to Counterweight	5365 mm	17' 7"
20 Max. Circle	5969 mm	19' 7"
21 Width of the Bucket	2545 mm	8' 4"
22 Width	2045 mm	6' 8"
21 Articulation Angle		+/- 40°

In the interest of continual equipment development, SANY America, Inc. reserves the right to change these specifications at any time without prior notification.

## Machine Parameters

### Engine

Engine Model	Deutz TCD6.1
Max Gross Power	184 hp
Net Engine Power	167 hp
Max Gross Torque	875 ft lbs
Displacement	6.1 ltr

### Operating

Bucket Capacity	3.2 cubic yards
Breakout Force	27,143lbs
Tipping Load Straight	19,621 lbs
Tipping Load @ Full Turn	17,007 lbs
Clearance (full lift 45° dump)	8' 10"
Reach (full lift 45° dump)	3' 3"

### Weight

Operating Weight	32,222 lbs
------------------	------------

### Hydraulic System

Max Flow	58 GPM
Max Pressure	3,916 PSI

### Hydraulic Cycle Times

Raise	5.2 sec
Dump	1.3 sec
Float Down	3.0 sec
Total Cycle Time	9.5 sec

### Service Capacities

Fuel Tank	60 gal
Cooling System	8.7 gal
Engine Crankcase	4.1 gal
Transmission	10.6 gal
Front Axle	9.2 gal
Rear Axle	9.2 gal
Hydraulic Tank	34 gal
DEF Tank	2.6 gal

### Transmission

Shift Modes	Automatic, Manual, Kick Down
Forward Gear 1-4	7-40 mph
Reverse Gear 1-3	7-26 mph

### Power Train

Front Axle	Fixed
Traction Aid	Manual Differential Lock
Rear Axle	Oscillating
Traction Aid	Open Differential
Service Brakes	Wet Disk
Parking Brake	Disk Brake

**SANY America Inc.**

318 Cooper Circle • Peachtree City, GA 30269 • T: 470-552-SANY F: 770-632-7820 • [sanyamerica.com](http://sanyamerica.com)



©2020 SANY America, Inc.